

ROCK'EM SOCK'EM ROBOTS®

WARNING:
 CHOKING HAZARD—Small parts
 Not for children under 3 years.

Item no. 1054
 2 Players / Ages 4 and up

GAME PIECES

- Base (1)
- Robot Platforms (2)
- Short Control Arms (2)
- Multi-Action Controllers (2)
- Robot Upper Bodies (2)
- Robot Lower Bodies (2)
- Screws (2)
- Washers (2)
- Corner Posts (4)
- Ropes (4)
- Label Sheet (1)

HOW TO PLAY

“Rock'em!” “Sock'em!” “Knock his block off!” It's excitement in the ring as players go head to head with their robots. Multi-action controls let you move forward and back, turn left and right, and deliver a winning punch to your opponent.

Use your Multi-Action Controller to position your robot and, with the attached lever, aim a right or a left hook to the opposing robot's chin. His head will pop right up! To determine the winner, play best out of five rounds or just to the first knockout punch.

Note: To reset robot heads, press down and forward to lock in place.

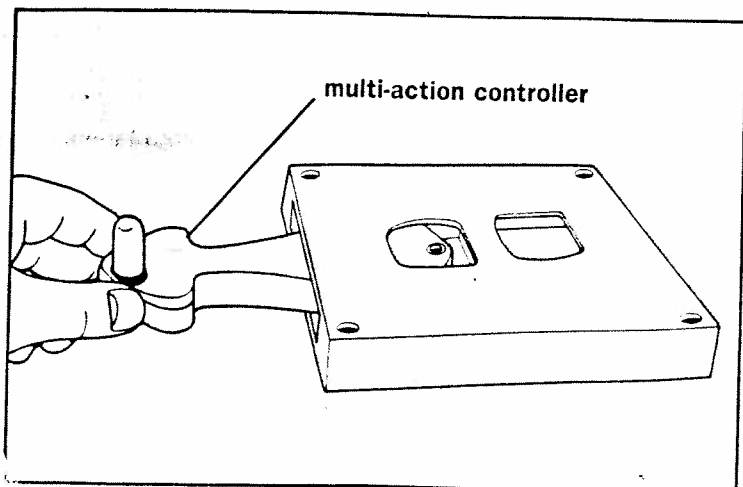
ONE-TIME-ONLY ASSEMBLY

For Each Robot:

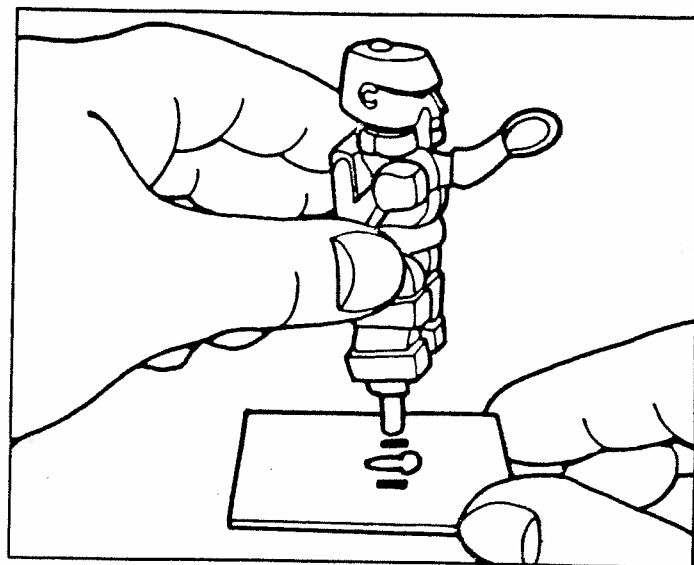
Slide upper body into lower body of same color, and place aside.

Put screws through washers and place aside.

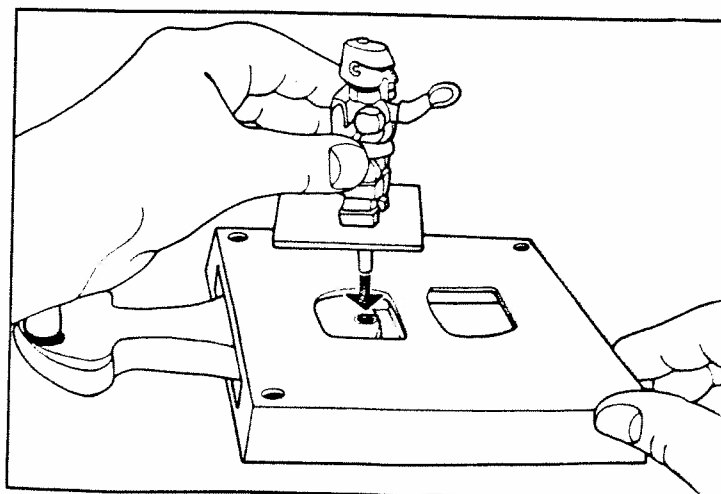
Preparing Base:



1 With Base right-side-up, insert one (1) multi-action Controller (lever-side-up) into the slot on either side.

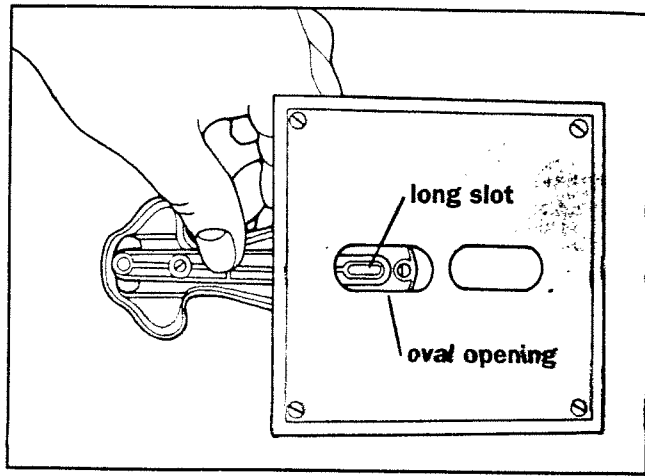


2 Holding the upper and lower parts together, fit the two bumps on the bottom of the PINK robot's feet into notches of the SMOOTH (no step) Robot platform.

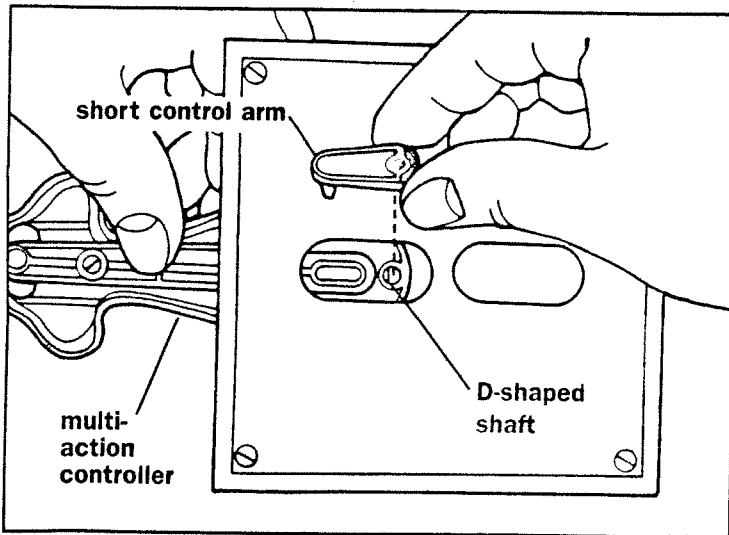


3 Holding robot and platform together, insert the peg through the opening in base, then into the hole of the multi-action controller.

Attaching Short Control Arm:



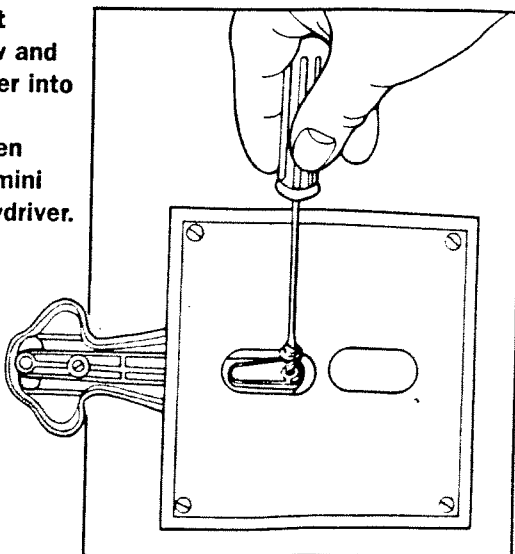
4 Holding the robot and base together, turn the base over and center the long slot of the multi-action controller with the oval opening in bottom of base.



5 With other hand, fit D-shaped hole of short control arm into the D-shaped shaft showing through the multi-action controller. Fit other end of short control arm into the long slot.

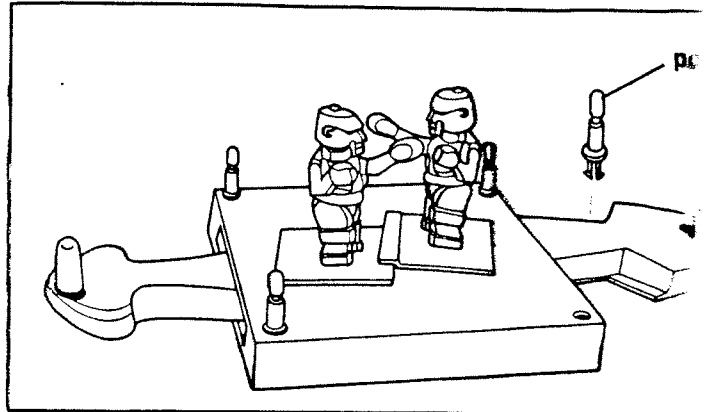


6 Insert screw and washer into hole. Tighten with mini screwdriver.

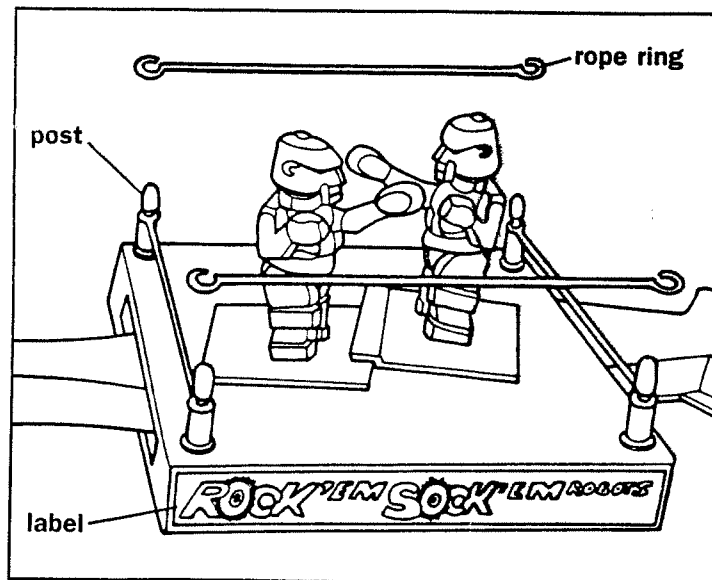


7 Repeat steps 3 through 6 for GREEN robot at RIDGED Robot Platform. Be sure the step overlaps other robot platform.

Finishing Touches:



8 Turn the base right-side-up. Snap the corner posts (4) into the base.



9 Place the rope rings over posts and snap down on each of the corners to lock. Attach Rock'em Sock'em Robots® logo labels to the sides of base.

ROCKEM 'EM SOCK'EM ROBOTS® 90-Day Limited Warranty
 All Tyco products are inspected and tested before shipment and are guaranteed to be free from factory defects in materials and workmanship. If you find a defective part in your set within 90 days from the date of purchase, mail the product, along with proof of the date of purchase to:
 Tyco Customer Service, 8585 SW Hall Blvd., Beaverton, OR 97008-6408
 We will repair or provide a replacement part or unit without charge. Please allow sufficient time for the Post Office to get the item to us, and for the item to be mailed to you. To prevent damage in transit, please pack securely. This warranty does not cover damage resulting from customer misuse or abuse. This warranty gives you specific legal rights and you may have other rights which vary from state to state.

If you have any comments or questions about ROCK'EM SOCK'EM ROBOTS® please call 9am - 7pm EST toll free at:
1-800-FOR-TYCO
 (1-800-367-8926)

Assembly Instructions for Rock'em Sock'em Robots[®] Game

1. Grasp both operating handles and depress control buttons. Tilt control assembly and slide into base.

Operating Handles

Control Buttons

Base

NOTE: DO NOT REMOVE RUBBER BANDS FROM METAL RODS

Multi-Action Control

2. Place robot on platform. **IMPORTANT: Match feet to shape of smooth area on platform.**

Make sure wire arm controls are not crossed and extend down through platform.

Shaft

Wire Arm Controls

Platform

Match feet to smooth area

Loop

Shafts locked securely

4. Ends of Metal Rods fit through loops on Wire Arm Controls; carefully flex Wire Arm Controls so loops slip over Metal Rods.

Wire Arm Controls

Metal Rods

Multi-Action Control (Bottom View)

3. Before attaching robot to base, match color of robot with color of operating handles. Position robot and platform over hole in base. Lower robot with wire controls and shafts through key slots on multi-action control. Snap robot to multi-action control; push up on multi-action control to lock shafts securely.

Wire Arm Control

Shaft

Key Slots

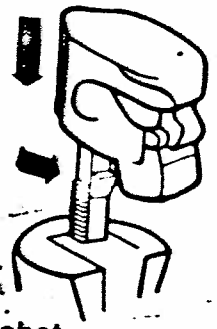
5. Repeat with other robot.

6. Insert corner posts with hooks facing in. Thread string over hooks and knot ends securely.

Hooks

Corner Post

Note: To reset robot's head, press down and forward to lock in place.

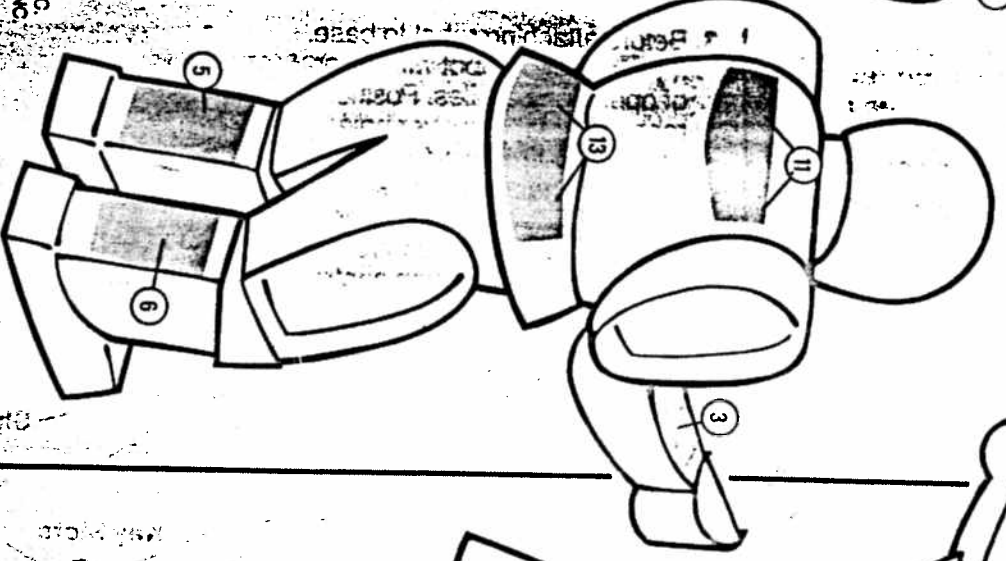
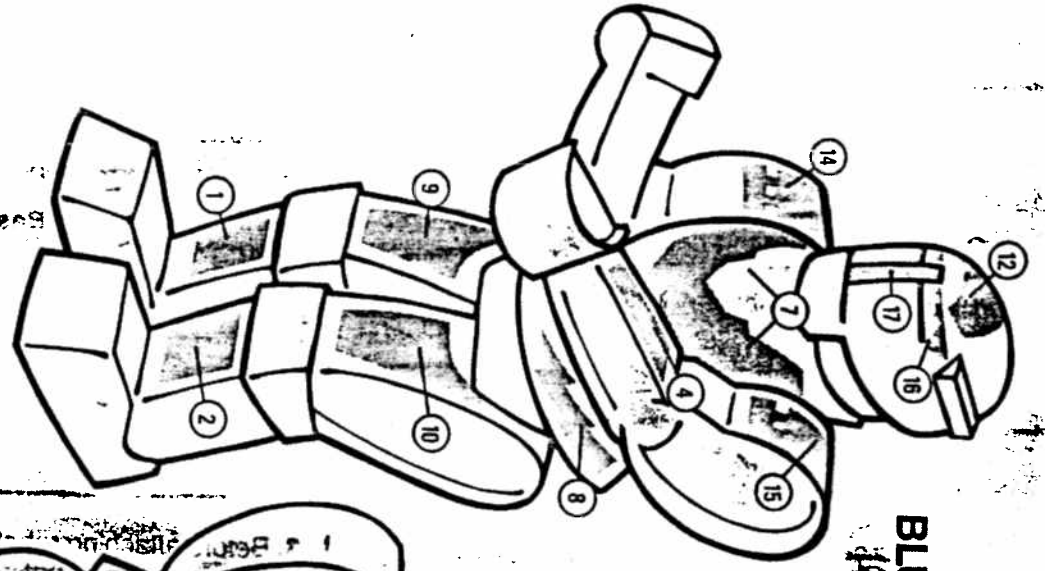


IMPORTANT NOTE: If a robot arm fails to operate, check connection of wire arm controls and metal rods underneath base. Reattach as shown in Instruction 4.

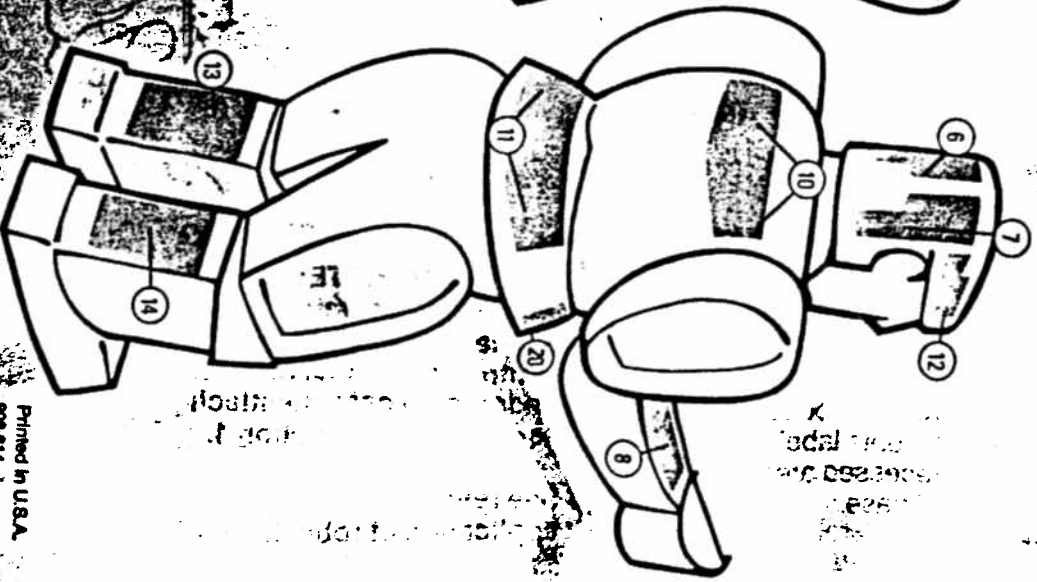
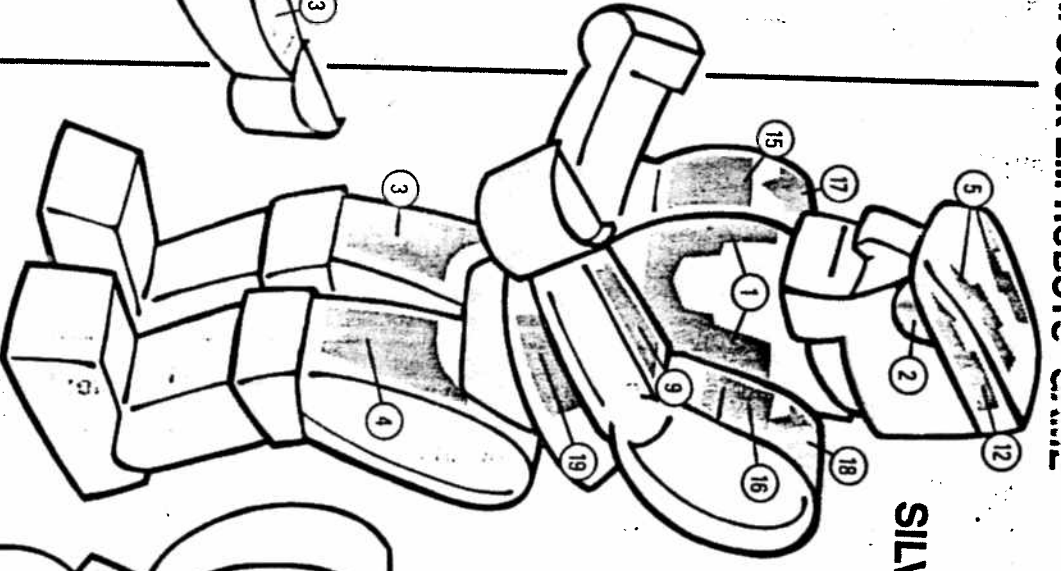
See reverse side for application of robot labels.

7. Attach Rock'em Sock'em Robots label to smooth, recessed area on side of base.
8. Attach corner labels on base as shown.

BLUE ROBOT



SILVER ROBOT



IMPORTANT
 Remove labels from label sheet one at a time in number sequence. Attach to robots as shown.
 See reverse side for assembly instructions.

TYCO
 A SUBSIDIARY OF TYCO TOYS, INC.
 MOORESTOWN, NJ 08057

COPYRIGHT © 1991

VIEW-MASTER IDEAL GROUP, INC.

Printed in U.S.A.